

hecal

Altus



Automatic Controlled
Solid Fuel Boiler

ALTUS

Hecal Altus boilers are designed for central heating of residential or commercial buildings where water-heating systems are installed.

Altus boilers are assisted with fan managed by electrical control panel, which enables to operate the boiler with poor chimney conditions.

Altus boiler is equipped with mechanical ash discharge mechanism and cast iron movable grate, which help you to make easy and effortless cleaning.



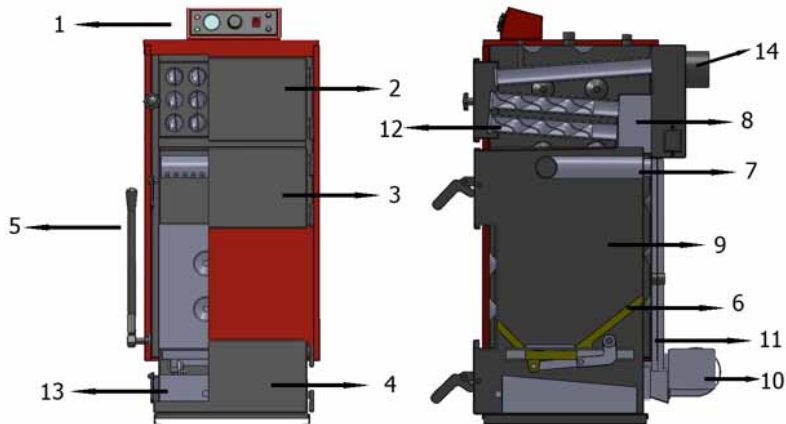
- Optimal solution for domestic heating
- Available for firing wood and coal
- Capacities 21 to 116KW
- Fan assisted air regulation for optimum fuel consumption
- Upper air tube for secondary air inlet supply provides better combustion.
- User-friendly electronic control panel
- Unique ash discharge mechanism for easy cleaning
- Movable cast iron bottom grates
- Optional overheating safety exchanger
- Produced and certified according to CE norms

Wood and Coal

Altus boilers are fired with wood or coal.

Concerning usage of wood, we recommend firing dry (15 % moisture content) wood. It is possible to fire fine wood waste and saw dust in small quantities (to 10%), mixing them with firewood.

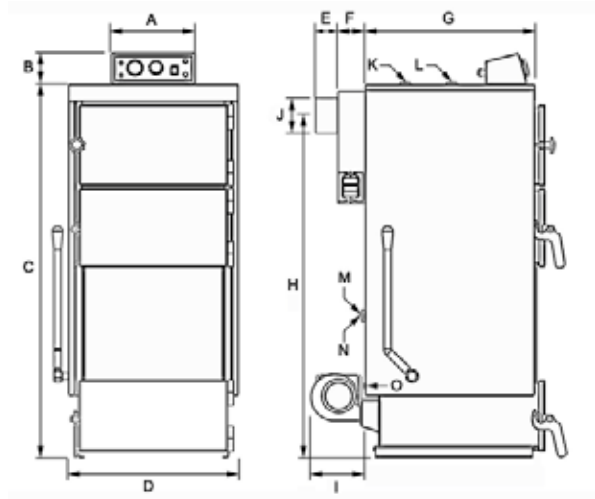
About coal, we recommend to use small pieces of coals (with diameter of around 2cm). If you intend to use bigger pieces (with diameter of more than 7 cm) those will cause combustion problems and high electric consumption. Therefore we don't advice to use such a big pieces.



Boiler Parts

- | | |
|-----------------------------|--------------------------|
| 1. Control Panel | 8. Smoke Chamber |
| 2. Service (Cleaning) Door | 9. Combustion Chamber |
| 3. Loading Door | 10. Fan |
| 4. Ash Remove Door | 11. Boiler Water Filling |
| 5. Ash Discharge Mechanism | 12. Turbulators |
| 6. Movable Cast Iron Grates | 13. Ash Drawer |
| 7. Secondary Air Inlet | 14. Chimney Outlet |

Boiler Dimensions



Model		18	25	35	45	60	80	100
Dimensions (mm)	A	300	300	300	300	300	300	300
	B	110	110	110	110	110	110	110
	C	1200	1280	1170	1340	1340	1380	1550
	D	450	450	620	620	620	620	750
	E	60	60	60	60	60	90	100
	F	100	100	100	100	100	170	200
	G	520	520	570	610	760	950	1100
	H	1000	1080	1080	1160	1160	1170	1260
	I	115	115	180	180	180	220	220
J-	Chimney Diameter	125	125	125	125	160	200	250
K-	Safety Flow	3/4"	3/4"	3/4"	3/4"	3/4"	3/4"	1"
L-	C.H. Flow	1"	1"	1"	1 1/4"	1 1/4"	1 1/2"	2"
M-	C.H. Return	1"	1"	1"	1 1/4"	1 1/4"	1 1/2"	2"
N-	Safety Return	3/4"	3/4"	3/4"	3/4"	3/4"	3/4"	1"
O-	Boiler Filling	1/2"	1/2"	1/2"	1/2"	1/2"	1/2"	1/2"
Fuel Capacity (kg)		40	50	70	100	135	210	220
Weight (kg)		185	210	295	370	450	540	675



www.hecal.com.tr