

hecal

Aduro



Automatic Loading
Solid Fuel Boiler

ADURO

Hecal Aduro Automatic Loading Boilers are designed for burning solid fuel like coal, walnut, pyrene up to 25mm. and also it is possible to burn pellet with detachable rotated burning pot.

Aduro Boilers are assisted with fan managed by digital control panel, which enables to adjust primary, secondary air inlets and fuel loading automatically.

Aduro Boilers are equipped with special design better combustion provides high efficiency and minimum fuel consumption.

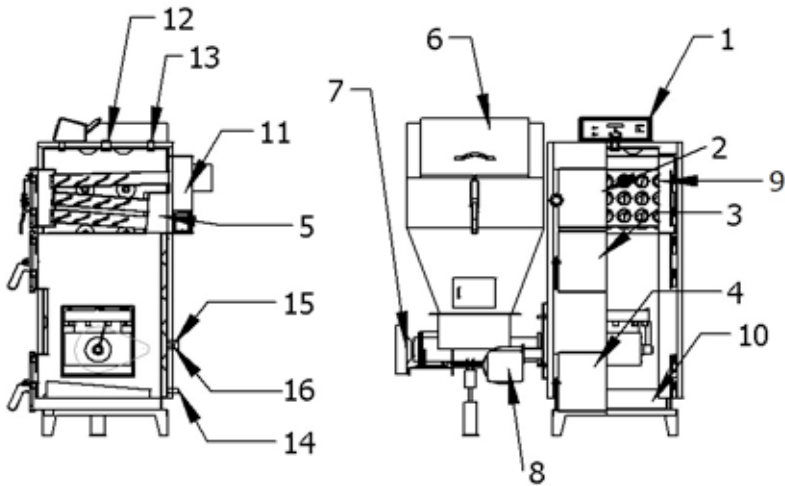


- Available for firing coal, walnut, pyrene, pellet
- Capacities 29 to 116KW
- Fan assisted air regulation for optimum fuel consumption
- User-friendly digital control panel
- Large bunker volume provides low loading frequency
- Stable and rotated burner pot system for better combustion
- Optional overheating safety exchanger
- Produced and certified according to CE norms

Fuel

Aduro automatic loading boiler is designed for burning solid fuel like coal, walnut, pyrene up to 25mm. and also it is possible to burn pellet with detachable rotated burning pot.

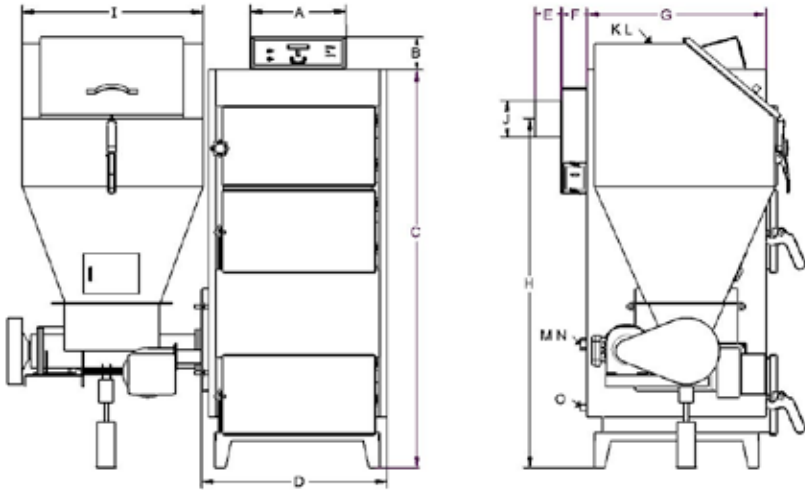
Aduro boilers furnished with control and regulation equipment's those automatically maintains the set heat carrier (water) temperature, ensures cost- efficient operation of the boilers, and safe exploitations.



Boiler Parts

- | | |
|---------------------|-----------------------|
| 1. Control Panel | 9. Turbulator |
| 2. Upper Door | 10. Ash Drawer |
| 3. Service Door | 11. Smoke Chamber |
| 4. Ash Removal Door | 12. Boiler Outlet |
| 5. Smoke Chamber | 13. Safety Outlet |
| 6. Bunker | 14. Boiler Water Feed |
| 7. Reductor Group | 15. Boiler Return |
| 8. Fan | 16. Safety Return |

Boiler Dimensions



Model		25	35	45	60	80	100
Dimensions (mm)	A	300	300	300	300	300	300
	B	110	110	110	110	110	110
	C	1280	1170	1340	1340	1380	1550
	D	450	450	620	620	620	620
	E	60	60	60	60	60	90
	F	100	100	100	100	100	170
	G	520	520	570	610	760	910
	H	1080	1000	1160	1160	1170	1260
I	600	600	600	650	650	700	
J-	Chimney Diameter	125	125	125	160	200	250
K-	Safety Flow	3/4"	3/4"	3/4"	3/4"	3/4"	1"
L-	C.H. Flow	1"	1"	1 1/4"	1 1/4"	1 1/2"	2"
M-	C.H. Return	1"	1"	1 1/4"	1 1/4"	1 1/2"	2"
N-	Safety Return	3/4"	3/4"	3/4"	3/4"	3/4"	3/4"
O-	Boiler Filling	1/2"	1/2"	1/2"	1/2"	1/2"	1/2"
Fuel Capacity (kg)		75	75	100	100	125	150
Weight (kg)		210	290	370	460	550	690



www.hecal.com.tr